

# Easter

## Notebooking Pages & Activities

**FREE**

By Notebooking Nook



# Easter

## Notebooking Pages & Activities

Created and Designed by:  
Betsy Stout

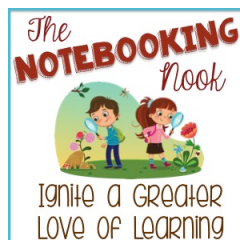
Copyright © 2015-2016 by Notebooking Nook – All rights reserved by author.

Purchase of this item entitles the purchaser the right to use this for personal use or single classroom use only. Duplication for other classrooms, an entire school, co-op, or commercial purposes is strictly prohibited without written permission from the author. Redistribution, repackaging, or reproduction of this item, in whole or part, is strictly forbidden. Posting this item on the internet in whole or part in any form is strictly prohibited and is a violation of the Digital Millennium Copyright Act (DMCA).

Please be fair and don't share! If you are not the original purchaser of this file, please visit my blog to obtain a link to one of my online stores.

[www.notebookingnook.com](http://www.notebookingnook.com) Thank you!

Connect with me...

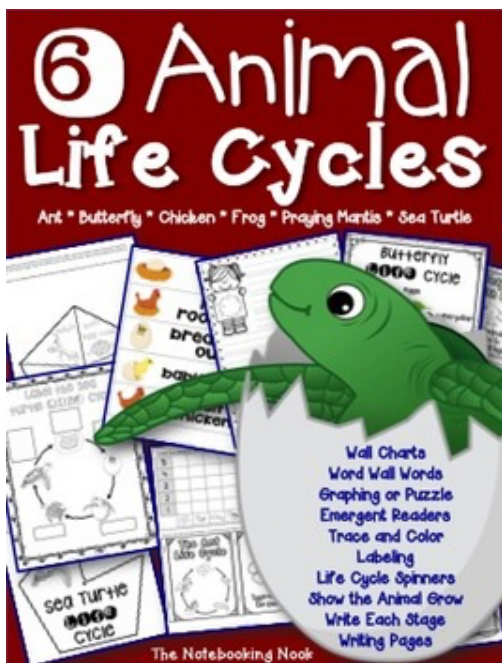


**Thank you** for downloading this product! I hope you will enjoy using it and find it to be a valuable and practical resource! I value you as a customer and I'm happy to help you if you have any concerns at all and will do my best to address them in a timely manner. If you are happy with this product, please let me know by leaving feedback at the online shop you purchased it from. Be sure to follow my shop for the latest updates on new products and freebies, too. Thank you again!

*Betsy*

[www.notebookingnook.com](http://www.notebookingnook.com)

You might also enjoy this title:



Clipart and Font Credit:



**PRINTING TIP:** This title has been designed to print on 8.5"x11"-sized paper. If you are printing on a different size, select "shrink to printable area" or "print to fit page" (or a similar option) in order for the contents of this products to print properly.

# My Easter Notebook



This Notebook Belongs To:

# Palm Sunday



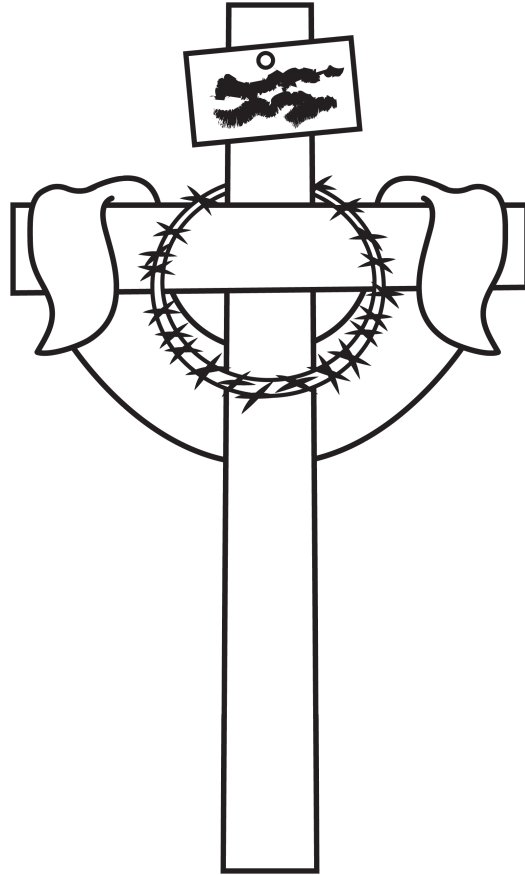
Four sets of primary writing lines, each consisting of a solid top line, a dashed middle line, and a solid bottom line.

# Holy Thursday



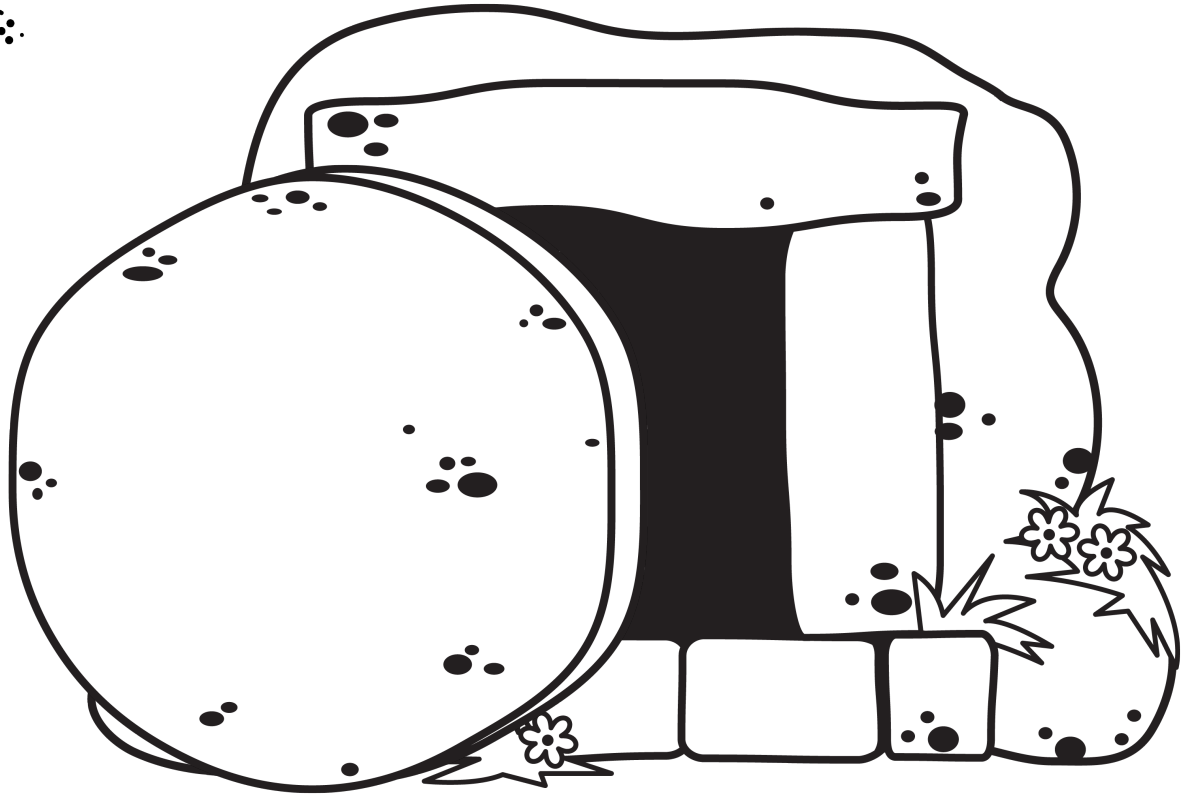
Handwriting practice lines consisting of four sets of horizontal lines. Each set includes a solid top line, a dashed middle line, and a solid bottom line, providing a guide for letter height and placement.

# Good Friday



Handwriting practice lines consisting of four sets of horizontal lines. Each set includes a solid top line, a dashed middle line, and a solid bottom line.

# Empty Tomb



Handwriting practice area with two sets of lines. Each set consists of a solid top line, a dashed middle line, and a solid bottom line.



# Jesus Lives!



Handwriting practice area consisting of six sets of lines. Each set includes a solid top line, a dashed middle line, and a solid bottom line.

# Palm Sunday



---

---

---

---

---

---

---

---

# Holy Thursday



---

---

---

---

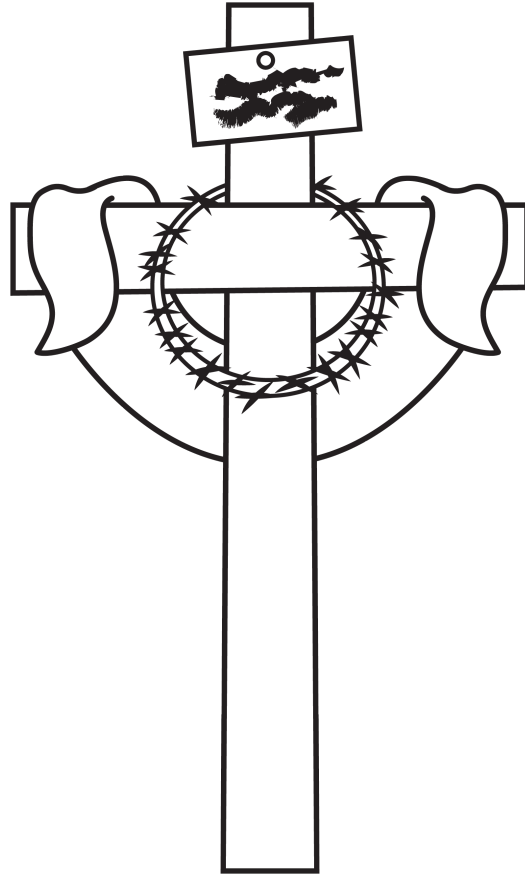
---

---

---

---

# Good Friday



---

---

---

---

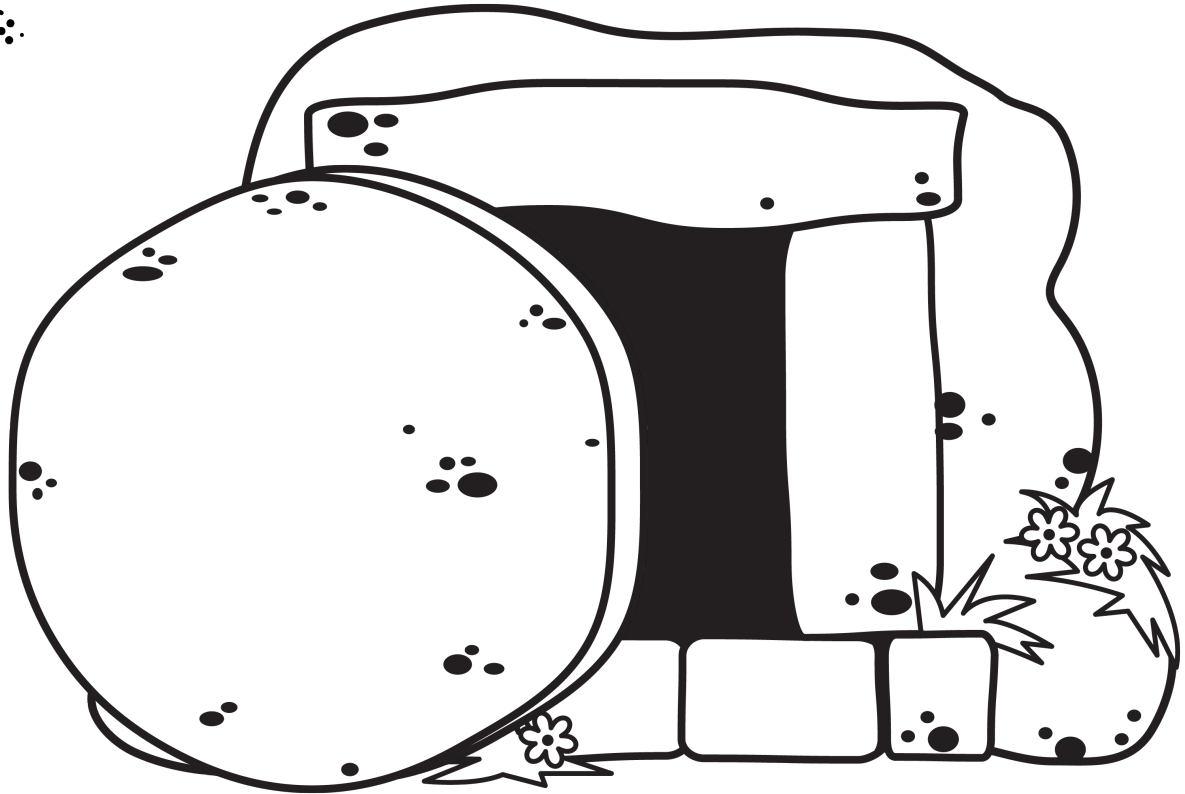
---

---

---

---

# Empty Tomb



---

---

---

---

---

---

---

---

# Jesus Lives!



---

---

---

---

---

---

---

---



# True Meaning of Easter



True Easter

Fun Easter

--	--

--	--

--	--

--	--

--	--

--	--

--	--

--	--

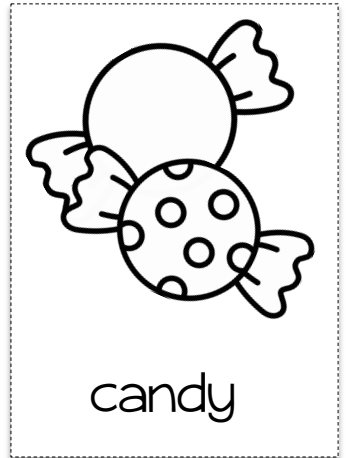
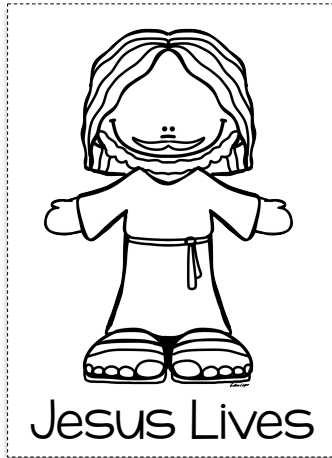
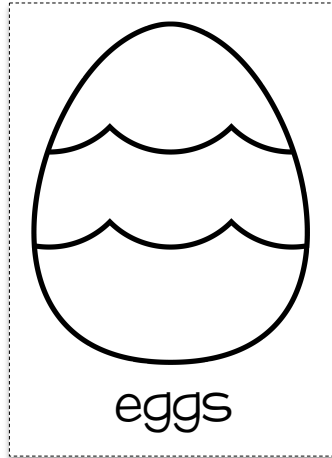
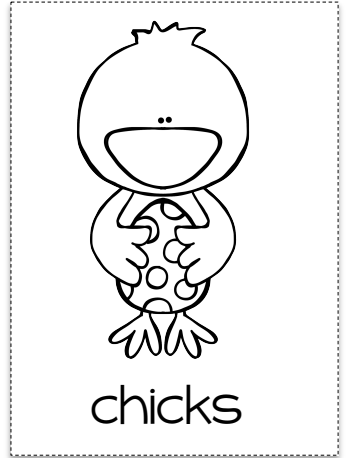
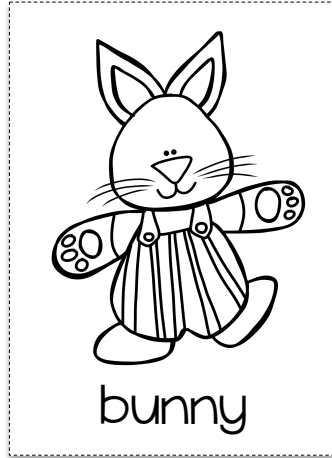
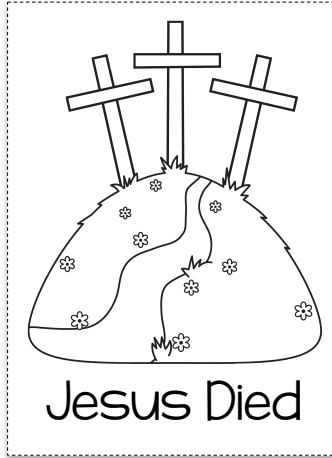
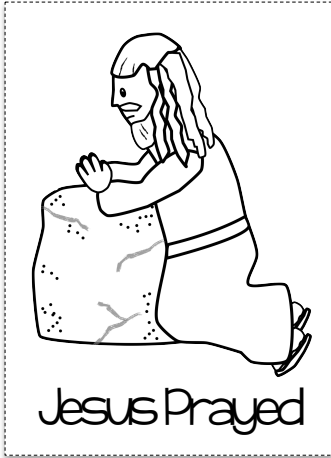
--	--

--	--

--	--

--	--

Cut out the images below and have the children glue them onto the previous page in the correct places.





# Jesus Christ Lives!

